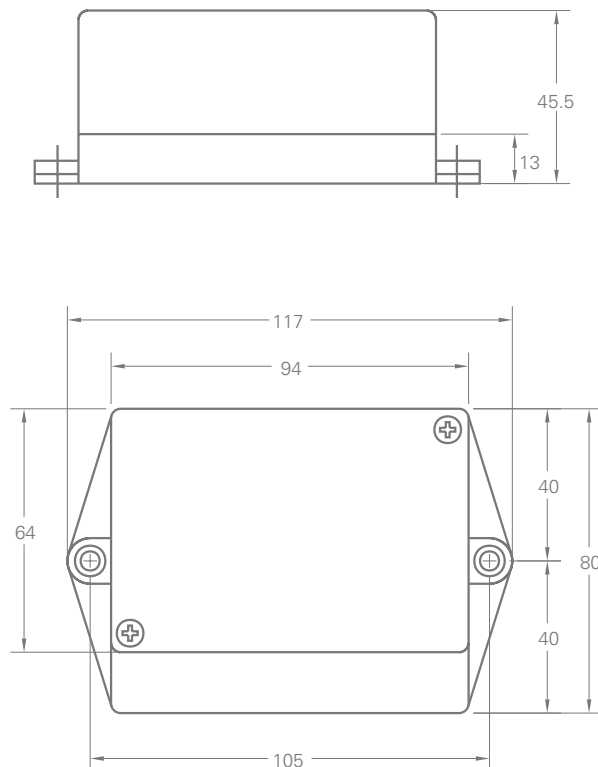
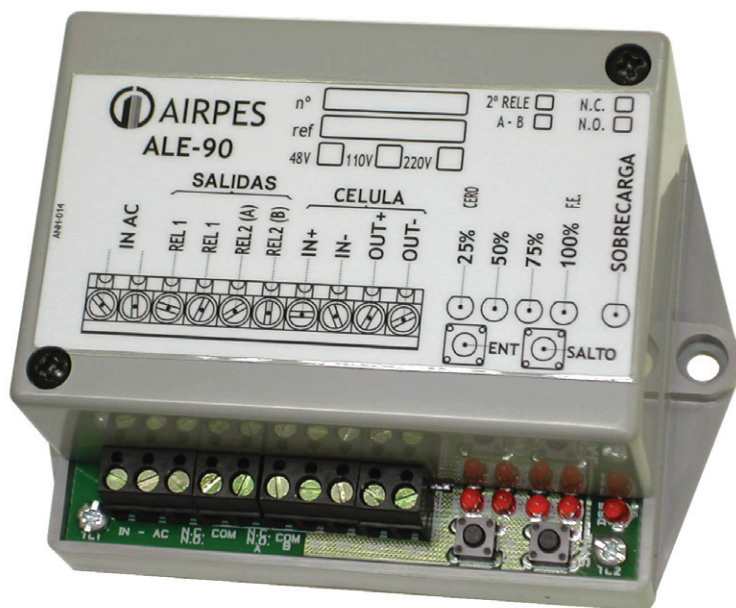


Economic Load Limiter

ALE-90



airpes®



General information:

The ALE-90 model of economic load limiter has been designed to control the overload and slack cable of elevation devices like cranes, overhead travelling cranes, hoists, elevators, etc.

It can be connected on any weight detecting sited in: fixed spur, turn pulley, carrier, cable, etc. Optionally it has an output for weight booster (on panel of push buttons or giant display).

Characteristics:

- 1 entry of weight
- 1st overload output, selectable switched contact (N.O. or N.C.) (6A 250V)
- 2nd output (optional) slack cable, selectable switched contact (N.O. or N.C.) (6A 250V)
- 3rd output weight booster for pannel of push buttons or giant display (optional and not compatible with 2nd output)
- Hysteresis operative in limit of overload
- 2 keys for the calibration of the system
- Connection to portable terminal
- By means of the portable terminal it will be possible to calibrate with loads different from the nominal one
- Feeding 110V or 220V AC (selectable) 48V AC at request
- Temperature -10°C 50°C ; Humidity 15% - 85%